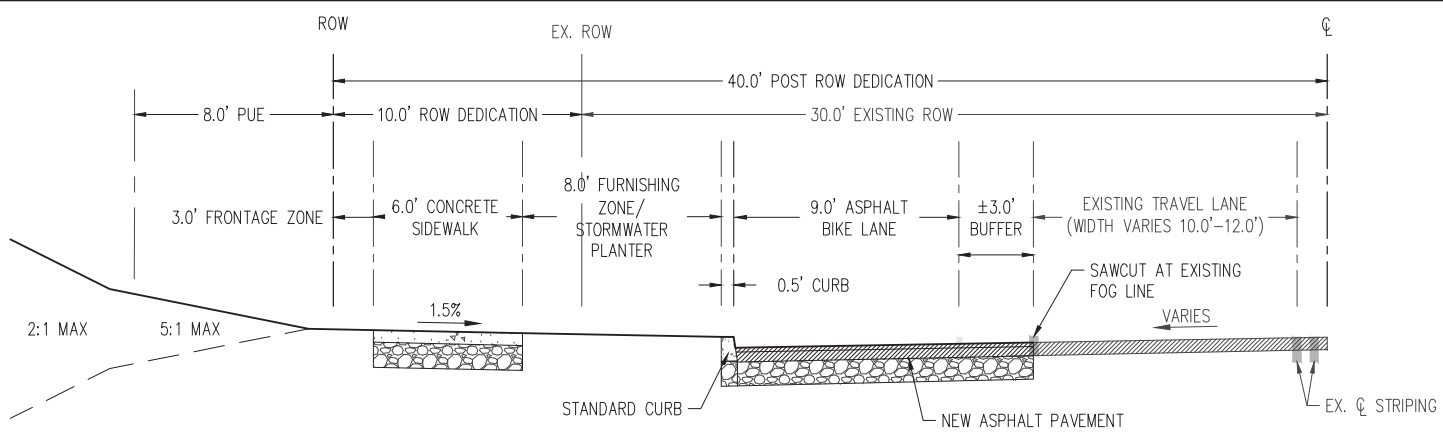


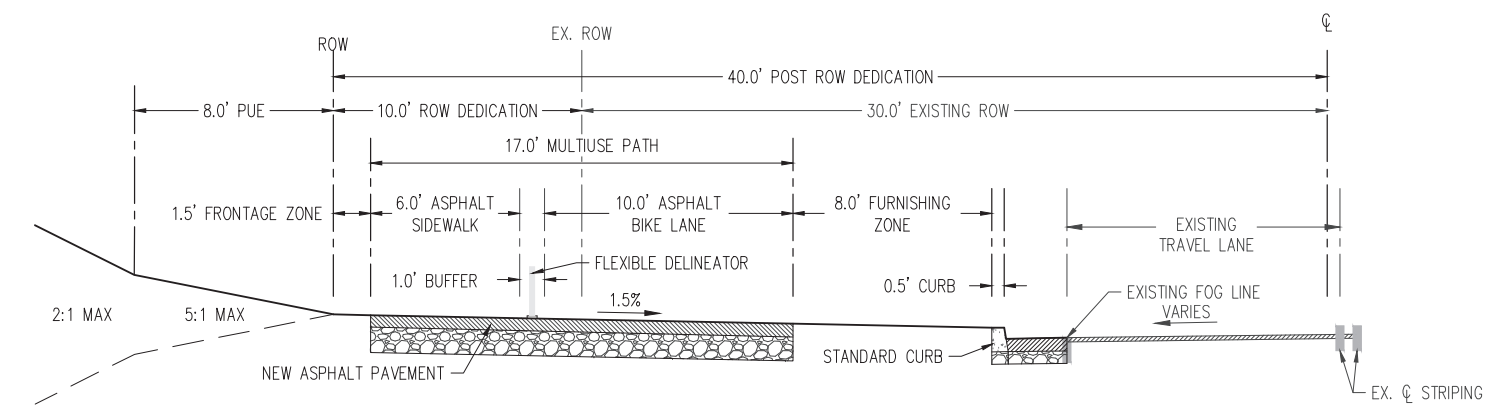
D:\DC-9454 SHATTUCK PB01 | A



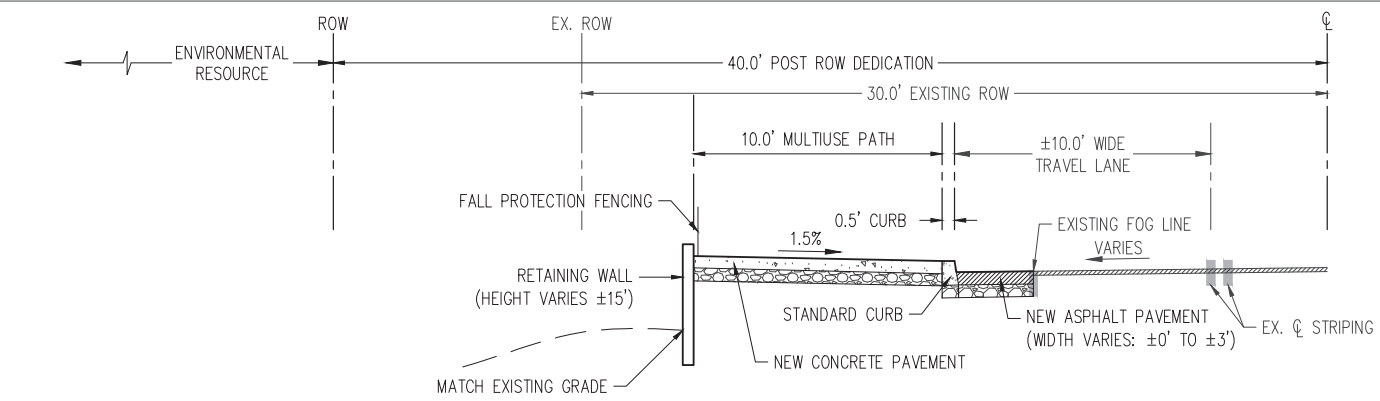
GENERAL NOTES

1. SW SHATTUCK ROAD FRONTAGE WILL BE SIGNED NO PARKING ALONG THE PROPERTY FRONTAGE.
2. SW VERMONT STREET FRONTAGE WILL BE SIGNED NO PARKING ALONG THE PROPERTY FRONTAGE.

SW VERMONT STREET
STANDARD PBOT IMPROVEMENTS CROSS SECTION
NOT TO SCALE



SW SHATTUCK ROAD
STANDARD CROSS-SECTION
NOT TO SCALE



SW SHATTUCK ROAD
CONSTRAINED CROSS-SECTION
NOT TO SCALE

DATE: 04/17/2024

PREFERRED ALTERNATIVE CROSS SECTIONS		EXHIBIT
RALEIGH CREST PD SUBDIVISION	TB0169/EP747	A
AKS ENGINEERING & FORESTRY, LLC 12965 SW HERMAN RD, STE 100 TUALATIN, OR 97062 503.563.6151 WWW.AKS-ENG.COM		DRWN: MDL CHKD: GSH AKS JOB: 9454